

IS 5816 : 1999

भारतीय मानक
कंक्रीट की खंडित तनन सामर्थ्य – परीक्षण पद्धति
(पहला पुनरीक्षण)

Indian Standard

SPLITTING TENSILE STRENGTH OF CONCRETE —
METHOD OF TEST

(First Revision)

ICS 91.100.30

© BIS 1999

BUREAU OF INDIAN STANDARDS
MANAK BHAVAN, 9 BAHADUR SHAH ZAFAR MARG
NEW DELHI 110002

July 1999

Price Group 4

FOREWORD

This Indian Standard (First Revision) was adopted by the Bureau of Indian Standards, after the draft finalized by the Cement and Concrete Sectional Committee had been approved by the Civil Engineering Division Council.

Tensile strength is one of the basic and important properties of concrete. A knowledge of its value is required for the design of concrete structural elements subject to transverse shear, torsion, shrinkage and temperature effects. Its value is also used in the design of prestressed concrete structures, liquid retaining structures, roadways and runway slabs. Direct tensile strength of concrete is difficult to determine; recourse is often taken to the determination of flexural strength or the splitting tensile strength and computing the direct tensile. The usefulness of the splitting cube test for assessing the tensile strength of concrete in the laboratory is widely accepted and the usefulness of the above test for control purposes in the field is under investigation. The standard has been prepared with a view to unifying the testing procedure for this type of test for tensile strength of concrete.

This standard was first published in 1970. In this first revision test on cube specimen has also been incorporated as it was felt that cube specimens, being used for compression testing, would be convenient to use.

In this revision assistance has been derived from BS 1881 (Part 117) : 1983 'Method for determination of tensile splitting strength'. Assistance has also been rendered by conducting test and supplying valuable data by the following:

National Council for Cement and Building Material, Ballabgarh and Gujrat Ambuja Cement, Ahmedabad.

In reporting the result of a test made in accordance with this standard, if the final value, observed or calculated, is to be rounded off, it shall be done in accordance with IS 2 : 1960 'Rules for rounding off numerical values (*revised*)'.

The composition of the technical committee responsible for the formulation of this standard is given at Annex A.

Indian Standard

SPLITTING TENSILE STRENGTH OF CONCRETE— METHOD OF TEST

(First Revision)

1 SCOPE

This standard covers the procedure for determining the splitting tensile strength of moulded concrete cubes and cylinders.

2 NORMATIVE REFERENCES

The Indian Standards listed below contain provisions, which through reference in this standard, constitute provision of this standard. At the time of publication the editions indicated were valid. All standards are subject to revision and parties to agreement based on this standard are encouraged to investigate the possibility of applying the most recent editions of the standards indicated below:

<i>IS No.</i>	<i>Title</i>
516 : 1959	Method of test for strength of concrete
1500 : 1983	Method for Brinell hardness test for metallic materials (<i>second revision</i>)
1658 : 1977	Fibre hardboards (<i>second revision</i>)

3 TEST SPECIMENS

3.1 Cube

Cube specimen shall be of size not less than four times the maximum size of the coarse aggregate and not less than 150 mm.

3.2 Cylinder

The cylindrical specimen shall have diameter not less than four times the maximum size of the coarse aggregate and not less than 150 mm. The length of the specimens shall not be less than the diameter and not more than twice the diameter. For routine testing and comparison of results, unless otherwise specified the specimens shall be cylinder 150 mm in diameter and 300 mm long.

3.3 Making and Curing Test Specimen

The procedure of making and curing tension test specimen in respect of sampling of materials,

preparation of materials, proportioning, weighing, mixing, workability, moulds, compacting and curing shall comply in all respects with the requirements given in IS 516.

4 APPARATUS

4.1 Testing Machine

Any compression machine of reliable type, of sufficient capacity for the tests and capable of applying the load at the rate specified in 7.5 shall be used. It shall comply with the requirements given in IS 516 as far as applicable except that the bearing faces of both platens shall provide a minimum loading area of 12 mm \times the length of the cylinder or cube, as the case may be so that the load is applied over the entire length of the specimen. If necessary, a supplementary bearing bar or plate of machined steel may be used.

4.2 Jigs

Either jig shown in Fig. 1 for splitting cylindrical and cubic specimen or alternatively jig shown in Fig. 2 for cubic specimen shall be used.

4.2.1 Components of Jigs shown in Fig. 1

4.2.1.1 Two packing strips of tempered hardboard of nominal thickness 4 mm conforming to IS 1658 having following dimensions of the test specimen shall be used only once:

Width	15 \pm 2 mm
Nominal thickness	4 mm
Length	Greater than the length of the line of content of the test specimen

4.2.1.2 Steel loading strips

A steel loading plate having minimum hardness value, when tested in accordance with IS 1500 shall be used between the platen of the machine and the hardboard packing strips. The piece shall not be shorter than the specimen. For cylindrical specimens it shall be of rectangular cross section. For cubic specimens, it shall be a section of a cylinder, with a radius of 75 mm, so

that the load is applied along a line on the surface of the specimen (*see* Fig. 1A and 1B). This loading piece can be incorporated within the jig.

550 when tested in accordance with IS 1500, shall be auxiliary platens incorporating steel strips with the following dimensions:

4.2.2 Components of Jigs shown in Fig. 2

4.2.2.1 Steel loading pieces

Steel loading pieces having a minimum hardness of

Width	6 ± 1 mm for 150 mm size
Thickness	4 ± 1 mm
Length	Not less than the length of the line of contact with the test specimen

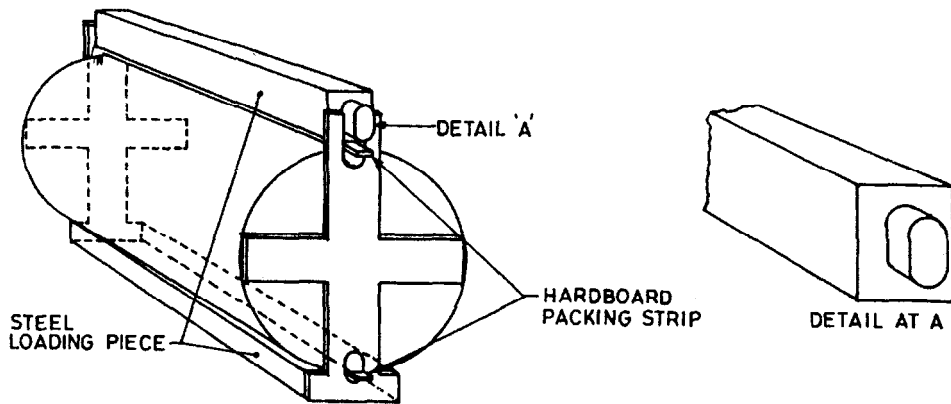


FIG. 1A APPARATUS FOR SPLITTING CYLINDERS

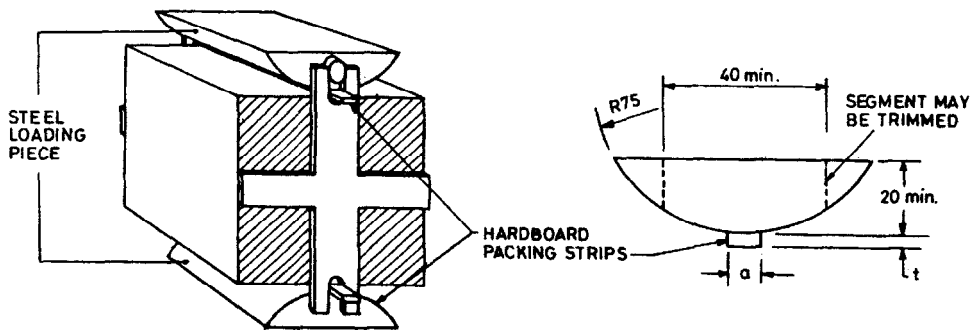


FIG. 1B APPARATUS FOR SPLITTING CYLINDER AND CUBE

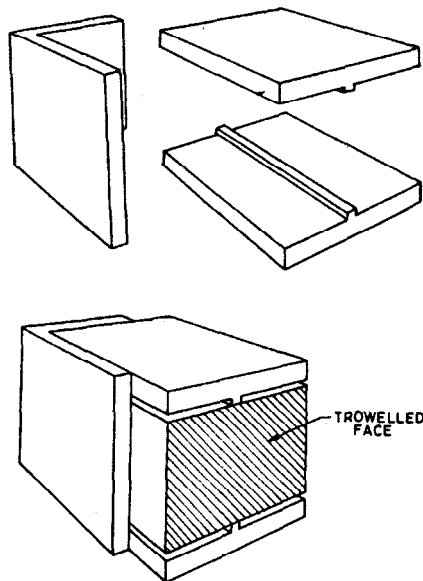


FIG. 2 ALTERNATE APPARATUS FOR SPLITTING CUBES

4.3 Tolerances

The steel loading pieces specified in 4.2.1.2 and 4.2.2.2 shall have flatness, squareness parallelism and surface requirements along the length of the strips within the tolerances given below:

- a) *Flatness* — 0.03 mm for each contact face.
- b) *Squareness* — for each edge of the piece with respect to the adjacent edge as datum shall be 0.06 mm.
- c) *Parallelism* — one contact face with respect to the other face as datum shall be 0.06 mm.
- d) Ra value for the surface texture of the contact faces — 0.04 μ m and 3.2 μ m.

The steel loading pieces shall be replaced when the dimensions are out of tolerance or they are seriously damaged or pitted along the contact face.

5 AGE AT TEST

Tests shall be made at the recognized ages of the test specimens, the most usual being 7 and 28 days. Tests at any other age at which the tensile strength is desired may be made, if so required. The ages shall be calculated from the time of the addition of water to the dry ingredients. The age at test shall be reported along with the results.

6 NUMBER OF SPECIMENS

At least three specimens shall be tested for each age of tests.

7 PROCEDURE

7.1 Specimens when received dry shall be kept in water for 24 h before they are taken for testing. Unless other conditions are required for specific laboratory investigation specimen shall be tested immediately on removal from the water whilst they are still wet. Surface water and grit shall be wiped off the specimens and any projecting fins removed from the surfaces which are to be in contact with the packing strips.

7.2 Marking

Central lines shall be drawn on the two opposite faces of the cube using any suitable procedure and device that will ensure that they are in the same axial plane.

7.3 Measurement

The mass and dimensions of the specimen shall be noted before testing. The sides of the specimen, lying

in the plane of the pre-marked lines, shall be measured near the ends and the middle of the specimen and the average taken to the nearest 0.2 mm. The length of the specimen shall be taken to the nearest 0.2 mm by averaging the two lengths measured in the plane containing the pre-marked lines.

7.4 Placing of the Specimen in the Testing Machine

The bearing surfaces of the testing machine and of the loading strips shall be wiped clean.

7.4.1 Positioning

The test specimen shall be placed in the centring jig with packing strip and/or loading pieces carefully positioning along the top and bottom of the plane of loading of the specimen. The jig shall then be placed in the machine so that the specimen is located centrally. In the case of cubic specimens, the load shall be applied on the moulded faces in such a way that the fracture plane will cross the trowelled surface.

For cylindrical specimen it shall be ensured that the upper platen is parallel with the lower platen.

7.5 Rate of Loading

The load shall be applied without shock and increased continuously at a nominal rate within the range 1.2 N/(mm²/min) to 2.4 N/(mm²/min). Maintain the rate, once adjusted, until failure. On manually controlled machines as failure is approached the loading rate will decrease; at this stage the controls shall be operated to maintain as far as possible the specified loading rate. The maximum load applied shall then be recorded. The appearance of concrete and any unusual features in the type of failure shall also be noted.

The rate of increase of load may be calculated from the formula:

$$(1.2 \text{ to } 2.4) \times \pi/2 \times l \times d \text{ N/min}$$

8 CALCULATION

8.1 The measured splitting tensile strength f_{ct} of the specimen shall be calculated to the nearest 0.05 N/mm² using the following formula :

$$f_{ct} = \frac{2P}{\pi Id}$$

where

P = maximum load in Newtons applied to the specimen,

- l = length of the specimen as shown in Fig. 3 (in mm), and
- d = cross sectional dimension of the specimen as shown in Fig. 3 (in mm).

9 REPORT

9.1 The following information shall be included in the report on each specimen:

- a) Date of test,
- b) Identification mark, shape and size of the specimen in mm,

- c) Age of specimen at date of test when known,
- d) Curing history,
- e) Weight of specimen in Newtons,
- f) Type of fracture and the appearance of concrete on the fractured face if these are unusual,
- g) Splitting tensile strength to the nearest 0.05 N/mm² on the lower side, and
- h) Estimate of the proportion of coarse aggregate fractured during test.

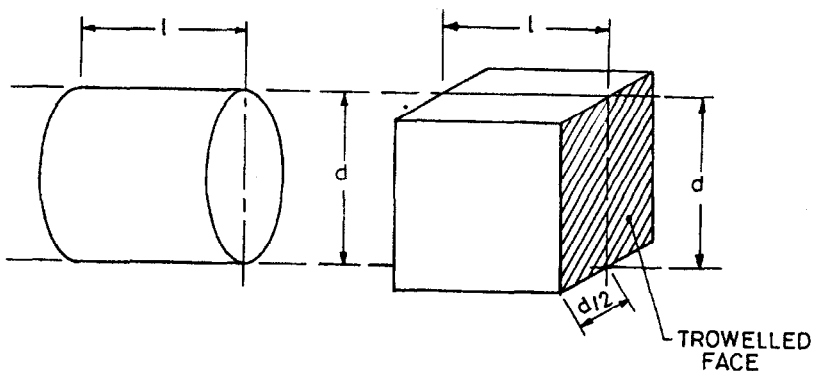


FIG. 3 PLANE OF LOADING

ANNEX A
(Foreword)
COMMITTEE COMPOSITION

Cement and Concrete Sectional Committee, CED 2

Chairman

DR H.C. VISVESVARAYA
Chandrika, 63-64, East Park Road,
Malleswaram, Bangalore 560003

<i>Members</i>	<i>Representing</i>
SHRI H. BHATTACHARYA	Orissa Cement Limited, New Delhi
SHRI G. R. BHARTIKAR	B.G. Shrike & Co, Pune
DR A. K. CHATTERJEE SHRI S. H. SUBRAMANIAN (<i>Alternate</i>)	The Associated Cement Companies Ltd, Mumbai
CHIEF ENGINEER (DESIGN) SUPERINTENDING ENGINEER (S&S) (<i>Alternate</i>)	Central Public Works Department, New Delhi
CHIEF ENGINEER, NAVAGAM DAM SUPERINTENDING ENGINEER, QCC (<i>Alternate</i>)	Sardar Sarovar Nirman Nigam Ltd, Gandhinagar
CHIEF ENGINEER (RESEARCH-CUM-DIRECTOR) RESEARCH OFFICER (CONCRETE TECHNOLOGY) (<i>Alternate</i>)	Irrigation and Power Research Institute, Amritsar
DIRECTOR JT DIRECTOR (<i>Alternate</i>)	A. P. Engineering Research Laboratories, Hyderabad
DIRECTOR (CMDD) (N&W) DY DIRECTOR (CMDD) (NW&S) (<i>Alternate</i>)	Central Water Commission, New Delhi
SHRI K. H. GANGWAL SHRI V. PATTABHI (<i>Alternate</i>)	Hyderabad Industries Ltd, Hyderabad
SHRI V. K. GHANEKAR	Structural Engineering Research Centre (CSIR), Ghaziabad
SHRI S. GOPINATH SHRI R. TAMILAKARAN (<i>Alternate</i>)	The India Cements Ltd, Chennai
SHRI S. K. GUHA THAKURTA SHRI S. P. SANKARANARAYANAN (<i>Alternate</i>)	Gannon Dunkerley & Co Ltd, Mumbai
SHRI N. S. BHAL DR IRSHAD MASOOD (<i>Alternate</i>)	Central Building Research Institute (CSIR), Roorkee
DR IRSHAD MASOOD SHRI N. C. JAIN (<i>Alternate</i>)	Cement Corporation of India, New Delhi
JOINT DIRECTOR STANDARDS (B&S) (CB-1) JOINT DIRECTOR STANDARDS (B&S) (CB-11) (<i>Alternate</i>)	Research, Designs & Standards Organization (Ministry of Railways), Lucknow
SHIR N. G. JOSHI SHIR P. D. KELKAR (<i>Alternate</i>)	Indian Hume Pipes Co Ltd, Mumbai
SHRI D. K. KANUNGO SHRI B. R. MEENA (<i>Alternate</i>)	National Test House, Calcutta
SHRI P. KRISHNAMURTHY SHRI S. CHAKRAVARTHY (<i>Alternate</i>)	Larsen and Toubro Limited, Mumbai

(Continued on page 6)

IS 5816 : 1999

(Continued from page 5)

<i>Members</i>	<i>Representing</i>
DR A. G. MADHAVA RAO SHRI K. MANI (<i>Alternate</i>)	Structural Engineering Research Centre (CSIR), Chennai
SHRI G. K. MAJUMDAR SHRI J. SARUP (<i>Alternate</i>)	Hospital Services Consultancy Corporation (India) Ltd, New Delhi
SHRI PRAFULLA KUMAR SHRI P. P. NAIR (<i>Alternate</i>)	Ministry of Transport, Department of Surface Transport, Roads Wing, New Delhi
MEMBER SECRETARY DIRECTOR (CIVIL) (<i>Alternate</i>)	Central Board of Irrigation and Power, New Delhi
SHRI S. K. NAITHANI, SO I DR A. S. GOEL, EE (<i>Alternate</i>)	Engineer-in-Chief's Branch, Army Headquarters, New Delhi
SHRI Y. R. PHULL SHRI S. S. SEEHRA (<i>Alternate</i>)	Central Road Research Institute (CSIR), New Delhi
SHRI Y. R. PHULL SHRI A. K. SHARMA (<i>Alternate</i>)	Indian Roads Congress, New Delhi
DR C. RAJKUMAR DR K. MOHAN (<i>Alternate</i>)	National Council for Cement and Building Materials, New Delhi
SHRI G. RAMDAS SHRI R. C. SHARMA (<i>Alternate</i>)	Directorate General of Supplies and Disposals, New Delhi
SHRI S. A. REDDI	Gammon India Ltd, Mumbai
SHRI J. S. SANGANERIA SHRI L. N. AGARWAL (<i>Alternate</i>)	Geological Survey of India, Calcutta
SHRI S. B. SURI SHRI N. CHANDRASEKARAN (<i>Alternate</i>)	Central Soil and Materials Research Station, New Delhi
SUPERINTENDING ENGINEER (DESIGN) EXECUTIVE ENGINEER, S.M.R. DIVISION (<i>Alternate</i>)	Public Works Department, Government of Tamil Nadu, Chennai
SHRI A. K. CHADHA SHRI J. R. SIL (<i>Alternate</i>)	Hindustan Prefab Ltd, New Delhi
DR H. C. VISVESVARAYA SHRI D. C. CHATURVEDI (<i>Alternate</i>)	The Institution of Engineers (India), Calcutta
SHRI VINOD KUMAR, Director (Civ Engg)	Director General, BIS (<i>Ex-officio Member</i>)

Member-Secretary

SHRI J. K. PRASAD
Additional Director (Civ Engg), BIS

Concrete Subcommittee, CED 2 : 2

Convener

DR A. K. MULLICK

National Council for Cement & Building Materials, New Delhi

Members

SHRI C. R. ALIMCHANDANI
SHRI S. RANGARAJAN (*Alternate*)

Stup Consultants Ltd, Mumbai

DR P. C. CHOWDHARY
DR C. S. VISHWANATH (*Alternate*)

Torsteel Research Foundation in India, Calcutta

(Continued on page 7)

(Continued from page 6)

<i>Members</i>	<i>Representing</i>
SHRI J. P. DESAI SHRI B. K. JAGETIA (<i>Alternate</i>)	Gujarat Ambuja Cement Ltd, Ahmedabad
DIRECTOR SHRI N. CHANDRASEKARAN (<i>Alternate</i>)	Central Soil Materials Research Station, New Delhi
JT DIRECTOR STANDARDS (B&S)/CB-II JT DIRECTOR STDS (B&S)/CB-I (<i>Alternate</i>)	Research, Designs & Standards Organization, Lucknow
SUPERINTENDING ENGINEER (DESIGNS) EXECUTIVE ENGG. (DESIGNS) (<i>Alternate</i>)	Central Public Works Deptt, New Delhi
SHRI V. K. GHANAKAR SHRI D. S. PRAKASH RAO (<i>Alternate</i>)	Structural Engineering Research Centre, Ghaziabad
SHRI S. K. GUHA THAKURTA SHRI S. P. SANKARANARAYANAN (<i>Alternate</i>)	Gannon Dunkerley & Co Ltd, Mumbai
SHRI J. S. HINGORANI SHRI A. P. REMEDIOS (<i>Alternate</i>)	Associated Consulting Services, Mumbai
SHRI LALIT KUMAR JAIN	In personal capacity (<i>Consulting Structural Engineer, 36, Old Sneh Nagar, Wardha Road, Nagpur 440015</i>)
SHRI M. P. JAISINGH SHRI B. KAMESWARA RAO (<i>Alternate</i>)	Central Building Research Institute, CSIR, Roorkee
CHIEF ENGINEER & JOINT SECRETARY SUPERINTENDING ENGINEER (<i>Alternate</i>)	Public Works Department, Mumbai
PROF. S. KRISHNAMOORTHY SHRI K. K. NAYAR (<i>Alternate</i>)	Indian Institute of Technology, New Delhi
DR S. C. MAHI	National Council for Cement & Building Materials, New Delhi
MANAGING DIRECTOR SHRI M. KUNDU (<i>Alternate</i>)	Hindustan Prefeb Ltd, New Delhi
SHRI M. K. MUKERJEE SHRI N. K. SINHA (<i>Alternate</i>)	Ministry of Transport (Road Wing), New Delhi
SHRI B. V. B. PAI SHRI M. G. DANDAVATE (<i>Alternate</i>)	The Associated Cement Co Ltd, Mumbai
SHRI A. B. PHADKE SHRI D. M. SAVUR (<i>Alternate</i>)	The Hindustan Construction Co Ltd, Mumbai
SHRI Y. R. PHULL SHRI S. S. SEEHRA (<i>Alternate I</i>) SHRI SATENDER KUMAR (<i>Alternate II</i>)	Central Road Research Institute, New Delhi
SHRI A. S. PRASAD RAO SHRI K. MANI (<i>Alternate</i>)	Structural Engineering Research Centre (CSIR), Chennai
SHRI K. L. PRUTHI SHRI J. R. GABRIEL (<i>Alternate</i>)	National Building and Construction Corporation Ltd, New Delhi
SHRI B. D. RAHALKER SHRI U. S. P. VERMA (<i>Alternate</i>)	Nuclear Power Corporation, Mumbai
SHRI HANUMENTHA RAO SHRI G. RAMAKRISHNEN (<i>Alternate</i>)	A. P. Engineering Research Laboratories, Hyderabad
SHRI S. A. REDDI DR N. V. NAYAK (<i>Alternate</i>)	Gammon India Ltd, Mumbai

(Continued on page 8)

IS 5816 : 1999

(Continued from page 7)

Members

SHRI S. C. SAWHNEY
SHRI R. P. MEHROTRA (*Alternate*)

SHRI J. R. SHARMA
SHRI SURINDER MOHAN (*Alternate*)

PROF M. S. SHETTY

SHRI B. T. UNWALLA

DIRECTOR (C&MDD)
DY DIRECTOR (C&MDD) (*Alternate*)

Representing

Engineers India Ltd, New Delhi

Army Headquarters, Engineer-in-Chief's Branch, New Delhi

Indian Concrete Institute, Chennai

In personal capacity (*15/9, Rustam Baug, Victoria Road, Mumbai-27*)

Central Water Commission, New Delhi

Bureau of Indian Standards

BIS is a statutory institution established under the *Bureau of Indian Standards Act, 1986* to promote harmonious development of the activities of standardization, marking and quality certification of goods and attending to connected matters in the country.

Copyright

BIS has the copyright of all its publications. No part of these publications may be reproduced in any form without the prior permission in writing of BIS. This does not preclude the free use, in the course of implementing the standard, of necessary details, such as symbols and sizes, type or grade designations. Enquiries relating to copyright be addressed to the Director (Publication), BIS.

Review of Indian Standards

Amendments are issued to standards as the need arises on the basis of comments. Standards are also reviewed periodically; a standard along with amendments is reaffirmed when such review indicates that no changes are needed; if the review indicates that changes are needed, it is taken up for revision. Users of Indian Standards should ascertain that they are in possession of the latest amendments or edition by referring to the latest issue of 'BIS Handbook' and 'Standards Monthly Additions'.

This Indian Standard has been developed from Doc: No. CED 2 (4850).

Amendments Issued Since Publication

Amend No.	Date of Issue	Text Affected

BUREAU OF INDIAN STANDARDS

Headquarters:

Manak Bhavan, 9 Bahadur Shah Zafar Marg, New Delhi 110002
Telephones: 323 01 31, 323 33 75, 323 94 02

Telegrams: Manaksanstha
(Common to all offices)

Regional Offices:

Central : Manak Bhavan, 9 Bahadur Shah Zafar Marg
NEW DELHI 110002

Telephone
323 76 17, 323 38 41

Eastern : 1/14 C.I.T. Scheme VII M, V.I.P. Road, Maniktola
CALCUTTA 700054

{ 337 84 99, 337 85 61
337 86 26, 337 91 20

Northern : SCO 335-336, Sector 34-A, CHANDIGARH 160022

{ 60 38 43
60 20 25

Southern : C.I.T. Campus, IV Cross Road, CHENNAI 600113

{ 235 02 16, 235 04 42
235 15 19, 235 23 15

Western : Manakalaya, E9 MIDC, Marol, Andheri (East)
MUMBAI 400093

{ 832 92 95, 832 78 58
832 78 91, 832 78 92

Branches : AHMADABAD. BANGALORE. BHOPAL. BHUBANESHWAR.
COIMBATORE. FARIDABAD. GHAZIABAD. GUWAHATI.
HYDERABAD. JAIPUR. KANPUR. LUCKNOW. NAGPUR.
PATNA. PUNE. THIRUVANANTHAPURAM.